

065-0740-XX
Hard Disk Drive Assembly
Without Software
For CSA7000B, TDS7000B,
TDS6000B & C and
TDS5000B Option FHD
Instructions

This assembly can be used for either the front hard drive or the rear hard drive instruments.

Table 1: Hard drive covers

Instrument	Need covers?
TDS/CSA7000B ¹ with rear hard drive (Std configuration)	No (assembly is ready to install into the scope.)
with front hard drive (option FHD)	Yes use cover 200-4830-XX.
TDS6000B with both front and rear hard drives	Yes use cover 200-4890-XX.
TDS6000C with both front and rear hard drives	Yes use cover 200-4967-XX.
TDS5000B with front hard drive (option FHD)	Yes use cover 200-4848-XX.

¹ No additional cover assembly is required for TDS/CSA7000B instruments with the standard rear hard drive location; discard all covers. Install the hard drive assembly as shown in Figure 2 on page 2 and proceed to Load Software.

Use the following procedure to prepare the assembly for your instrument.

1. Remove the thumb screws from the hard drive.
2. Slide the appropriate hard drive cover for your instrument onto the hard drive assembly. See Figure 1.
Table 1 lists the appropriate covers for each instrument type.
3. Install the thumb screws.
4. The assembly is ready to install in your instrument. See Figure 2 on page 2.

Load Software

After assembling and installing the hard drive assembly into the instrument, follow the installation procedures in the system, product, and application software booklets to load the appropriate software onto the new hard drive in your instrument.

After loading the software, Tektronix recommends that you run the Windows Defragmenter on your hard drive.

www.tektronix.com



Assembly Description

This document supports the Tektronix Hard Disk Drive Assembly 065-0740-XX used in CSA7404B, TDS7704B, TDS7404B, TDS7254B, TDS7154B, TDS6604B, TDS6804B, TDS6124C, TDS6154C and TDS5000B Series (Option FHD) instruments.

Effective for all above products: serial numbers B010100 and above.

Minimum Tool and Equipment List

None required.

Assembly Installation

These instructions are for personnel who are familiar with servicing the product. If you need further details for disassembling or reassembling the product, refer to the appropriate product manual. Contact your nearest Tektronix, Inc., Service Center or Tektronix Factory Service for installation assistance.

CAUTION. To prevent static discharge damage, service the product only in a static-free environment. Observe standard handling precautions for static-sensitive devices during installation. Always wear a grounded wrist strap, grounded foot strap, and static resistant apparel during installation.

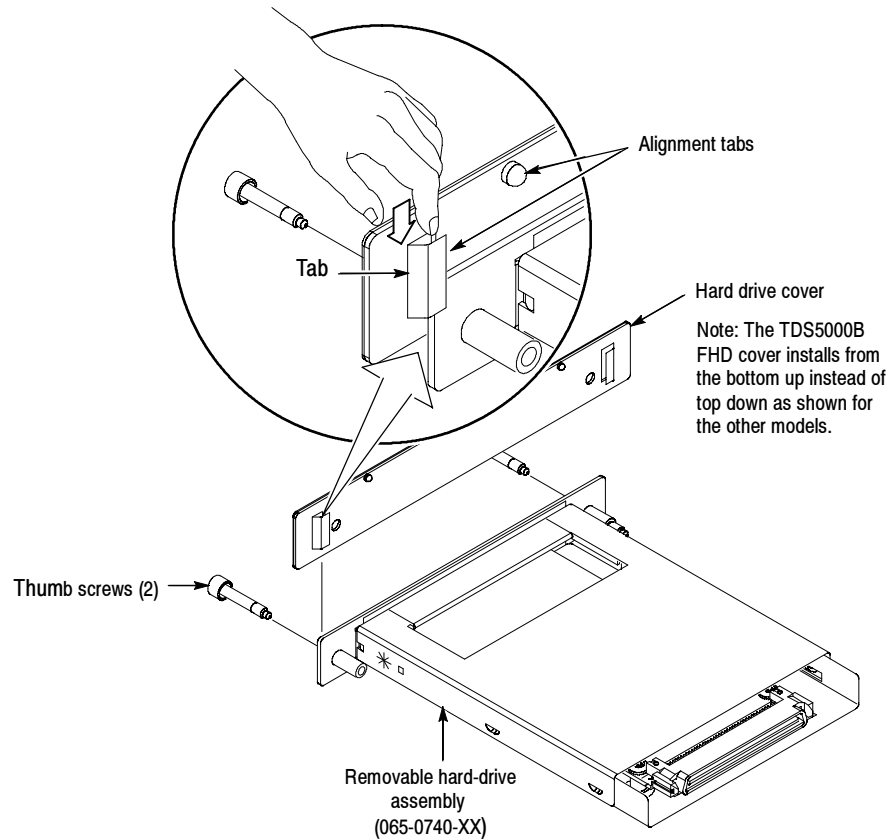


Figure 1: Attaching a cover

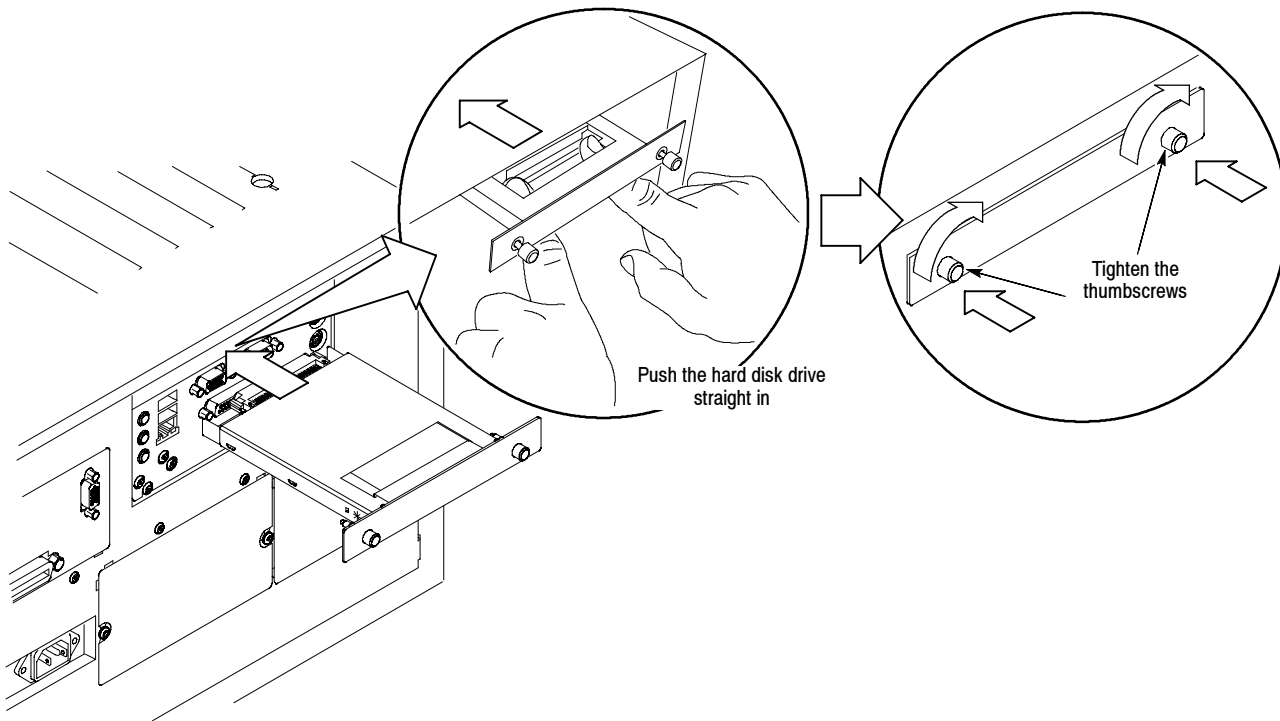


Figure 2: Reinstalling the hard drive

Contacting Tektronix

Tektronix, Inc.
14200 SW Karl Braun Drive
PO Box 500
Beaverton, OR 97077
USA

For product information, sales, service, and technical support:

- In North America, call 1-800-833-9200.
- Worldwide, visit www.tektronix.com to find contacts in your area.

Safety Summary

To avoid potential hazards, use this product only as specified.

Only qualified personnel should perform service procedures.

To Avoid Fire or Personal Injury

Do Not Operate Without Covers. Do not operate this product with covers or panels removed.

Avoid Exposed Circuitry. Do not touch exposed connections and components when power is present.

Do Not Operate With Suspected Failures. If you suspect there is damage to this product, have it inspected by qualified service personnel.

Do Not Operate In Wet/Damp Conditions.

Do Not Operate In An Explosive Atmosphere.

Keep Product Surfaces Clean and Dry.

Provide Proper Ventilation. Refer to the manual's installation instructions for details on installing the product so it has proper ventilation.

Warranty Information

For warranty information, go to www.tektronix.com, click Support, and then use the provided links to search for your product's warranty.